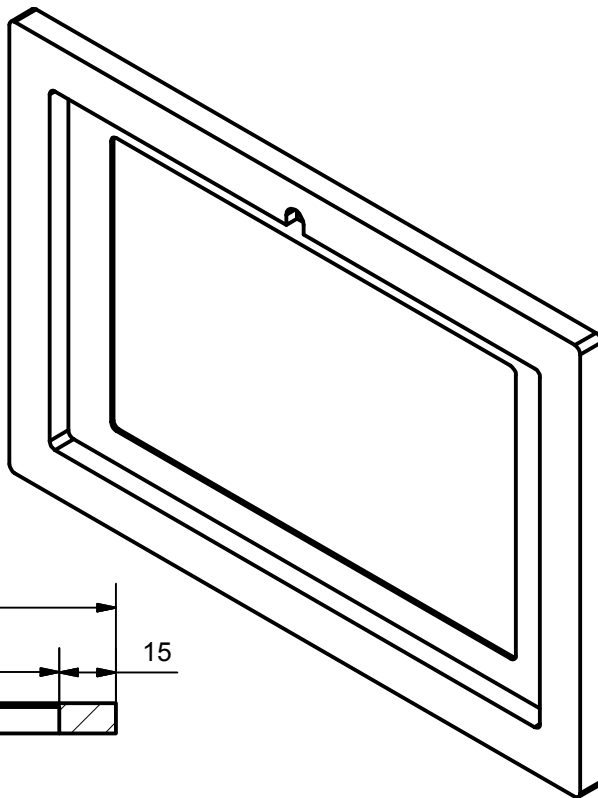
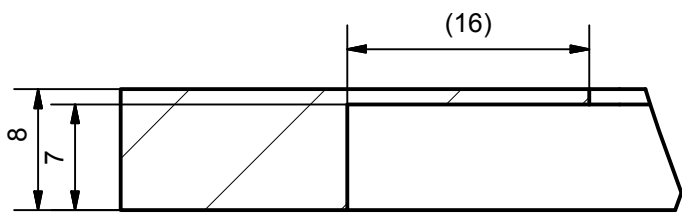
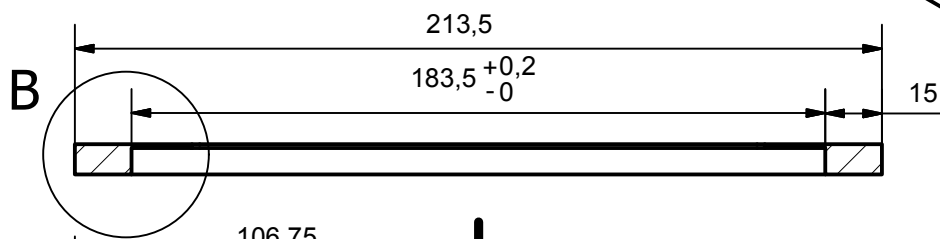




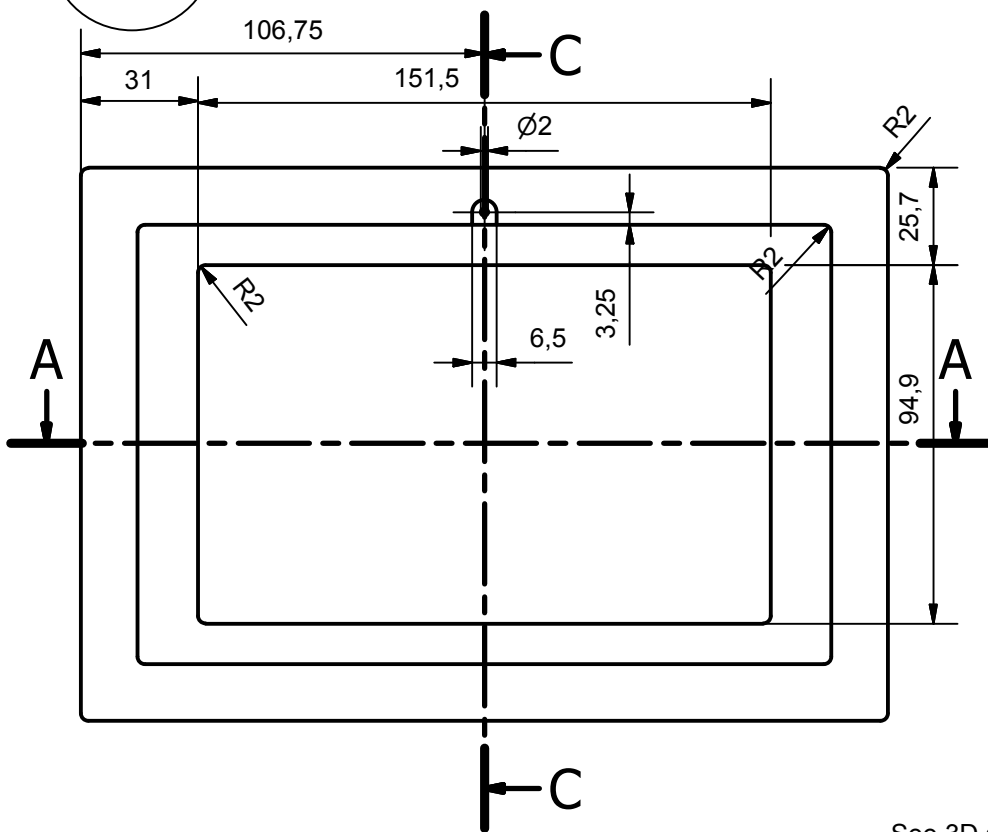
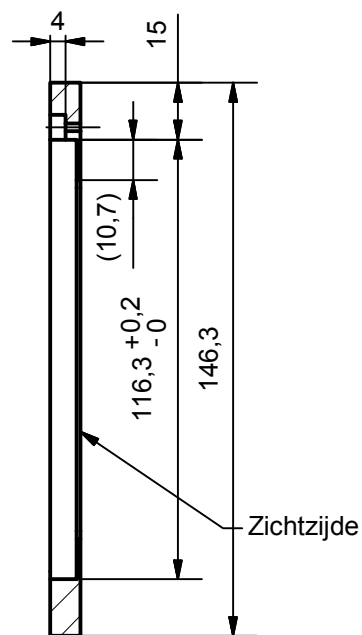
B (2:1)



A-A (1:2)



C-C (1:2)



See 3D step-file for detailed information.
CNC information according to DXF-File

TOLERANCES UNLESS OTHERWISE SPECIFIED

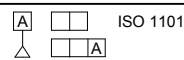
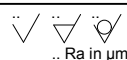
WELDS ACC. TO ISO 2553, UNLESS OTHERWISE SPECIFIED

GENERAL
ROUGHNESS
3,2

UNIT
MM

DIMENSION : ± 0.5

ANGLE : ± 0.5 °



MATERIAL : Arpa Fenix volkern Zwart

SCALE
1 : 2



TREATMENT :

DESCRIPTION : Raam 7 inch scherm

MODEL Nr. : 221-0932

REV. VER. : 2



©2017 Dijkhuizen Electrotechniek
Duplication and copying without written
permission of the owner is prohibited.

RELEASE LEVEL :

CREATED ON : 12-10-2017

MODIFY ON :

CREATED BY : GN

MODIFY BY :

DEPARTMENT :

SHEET : 1 / 1 SIZE A4

